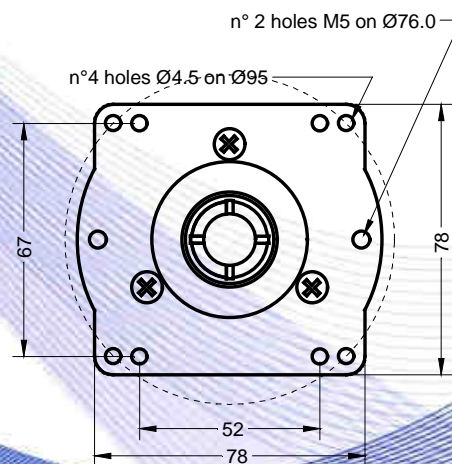
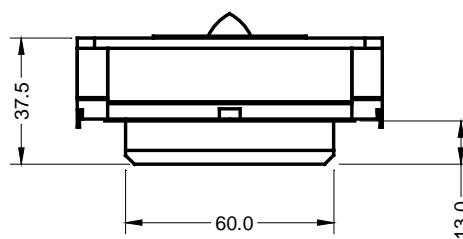


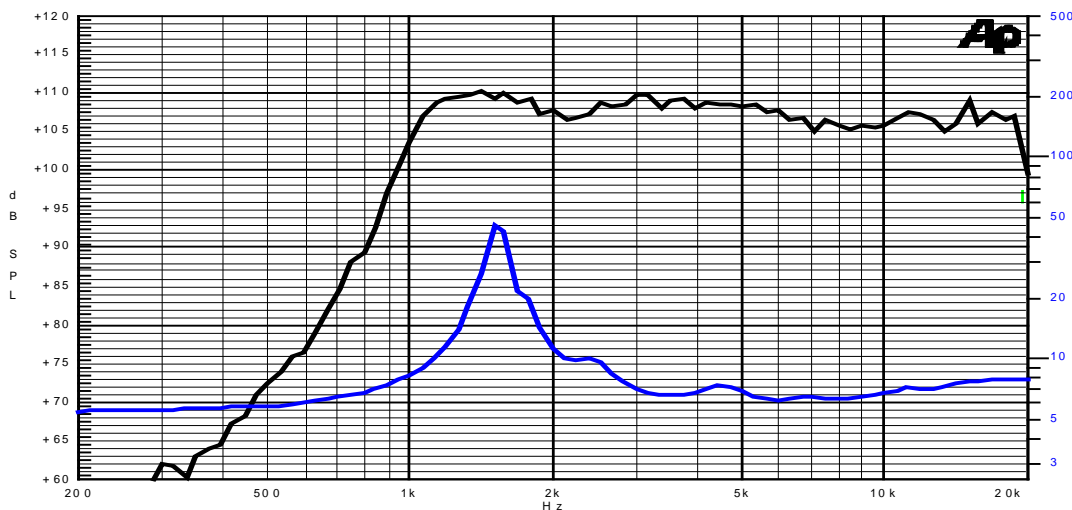
- 1" voice coil Kapton former and flat aluminium wire
- 1" horn throat diameter
- Tri-acetate diaphragm
- Neodymium magnet circuit
- 107.3 dB sensitivity



Specifications	
Nominal Diameter	78mm
Nominal Impedance	8Ω
Rated Power AES ⁽¹⁾ (2000 - 20000 Hz)	20W
Continuous Program Power ⁽²⁾	40W
Sensitivity @ 1W/1m ⁽³⁾	107.3dB
Voice Coil Diameter	25mm (1")
Voice Coil Winding Depth	2.1 mm
Magnetic Gap Depth	2.0mm
Flux Density	1.92T
DC Resistance	5.30Ω
Resonance Frequency	1.5kHz
Magnet Weight	92g
Net Weight	0.4kg
Recommended Crossover Frequency	2.5kHz
Throat Diameter	25.4 mm (1")

Constructive Characteristics	
Magnet	: Neodymium
Voice Coil Winding Material	: Aluminium Flat Wire
Voice Coil Former Material	: Kapton
Diaphragm	: Tri-acetate film
Ferrofluid in Air Gap	: No
Spare Part Code	: Z009376

Free Air Frequency Response with 6x8 inches horn @ 1W,1m – Impedance (without horn)



- Note:
- 1 : Rated Power measured with 2 hours test with pink noise signal, 6dB crest factor, loudspeaker mounted on enclosure
 - 2: Power on Continuous Program is defined as 3 dB greater than the Rated Power
 - 3: Measured at 1W,1m in axis within the frequency range
 - 4: Drawing dimensions: mm