

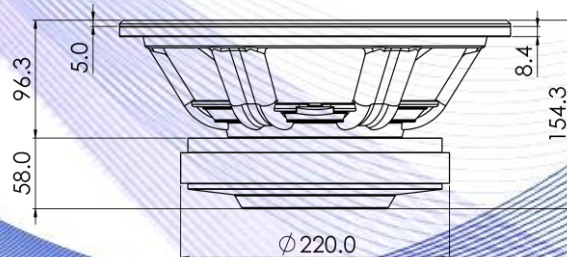
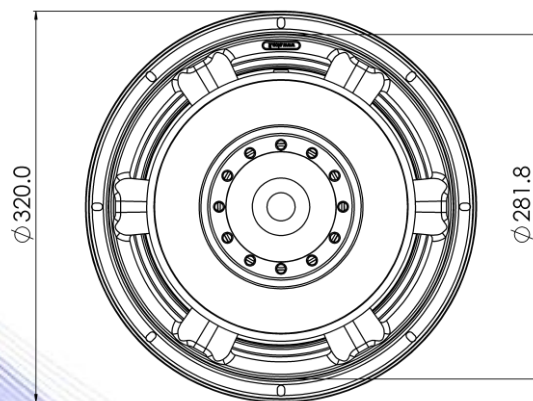
- 4" sandwich voice coil fiberglass former
- Konex spider with DCS technology
- Rubber surround with DAR technology
- Cone waterproof treatment
- Ventilated magnet and voice coil to reduce power compression
- Ferrite magnet
- 91.7 dB sensitivity



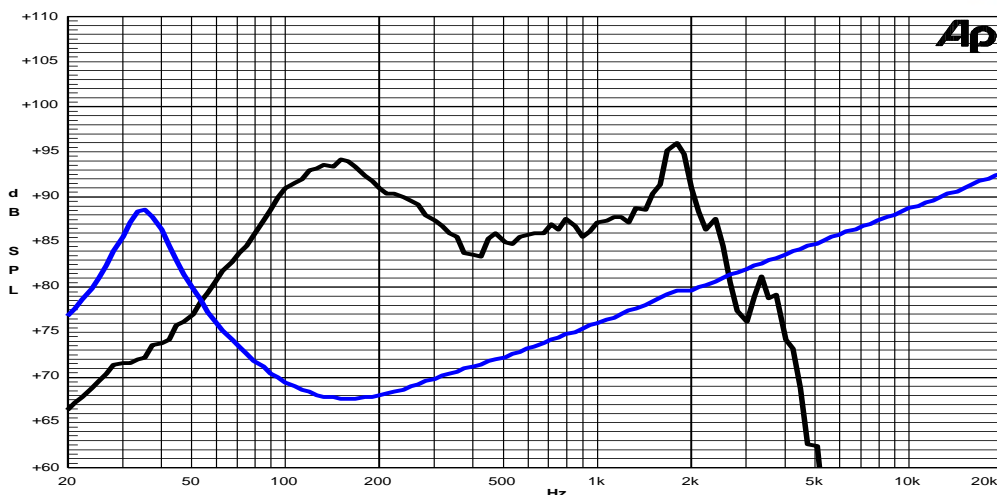
Specifications	
Nominal Diameter	321mm (12")
Nominal Impedance	4Ω
Rated Power AES ⁽¹⁾	1000W
Continuous Program Power ⁽²⁾	2000W
Sensitivity @ 1W/1m ⁽³⁾	91.7dB
Voice Coil Diameter	100mm (4")
Voice Coil Winding Depth	25mm
Magnetic Gap Depth	12mm
Flux Density	1.12T
Magnet Weight	3300g
Net Weight	12.0kg

Thiele & Small Parameters ⁽⁴⁾			
Re	3.70Ω	Fs	35.6Hz
Qms	3.14	Qes	0.25
Qts	0.24	Mms	138.8g
Cms	144μm/N	Bxl	21.35Tm
Vas	48.9l	Sd	490.9cm ²
X max ⁽⁵⁾	+/-7.0mm	X var ⁽⁶⁾	+/-8.5mm
η ₀	0.84%	Le (1kHz)	1.45mH

Constructive Characteristics	
Magnet	: Ferrite
Basket Material	: Aluminium Die-Cast
Voice Coil Winding Material	: Copper
Voice Coil Former Material	: Fiberglass
Cone Material	: Paper
Cone Treatment	: Surface Waterproof Treatment
Surround Material	: Rubber
Dust Dome Material	: Solid Paper



Frequency Response on IEC Baffle (DIN 45575) @ 1W,1m – Free Air Impedance



- Note:
- 1 : Rated Power measured with 2 hours test with pink noise signal, 6dB crest factor, loudspeaker mounted on enclosure
 - 2: Power on Continuous Program is defined as 3 dB greater than the Rated Power
 - 3: Calculated by Thiele & Small parameters
 - 4: Thiele & Small parameters measured with laser system without preconditioning test
 - 5: Measured with respect to a THD of 10% using a parameter-based method
 - 6: Value corresponding to a decay of the Force Factor, or Compliance, or both, equal to the 50% of the small signal value.
 - 7: Drawing dimensions: mm
 - 8: The notch around 400Hz on the frequency response is typical of the measurement on IEC baffle